

8

7

6

5

4

3

2

1

F

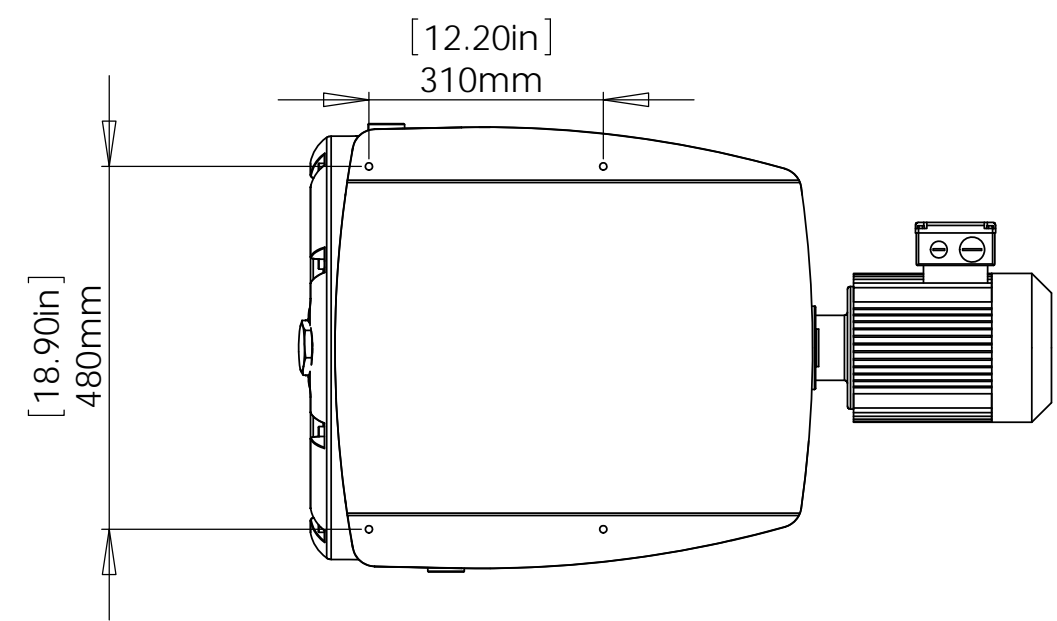
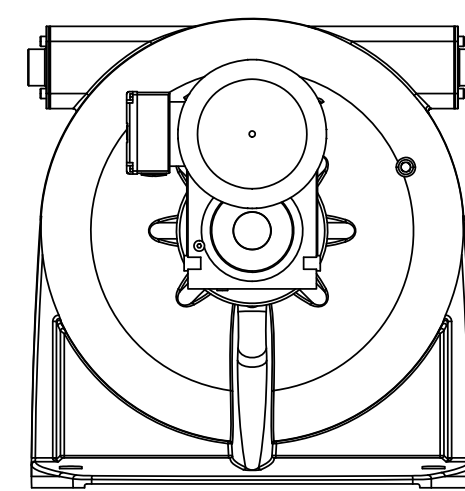
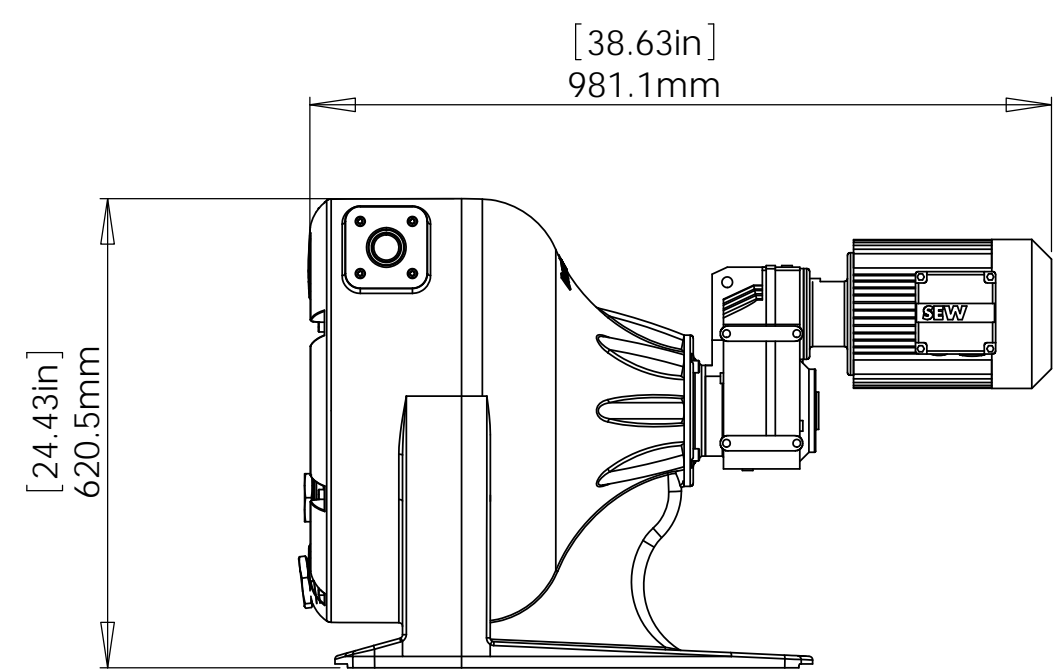
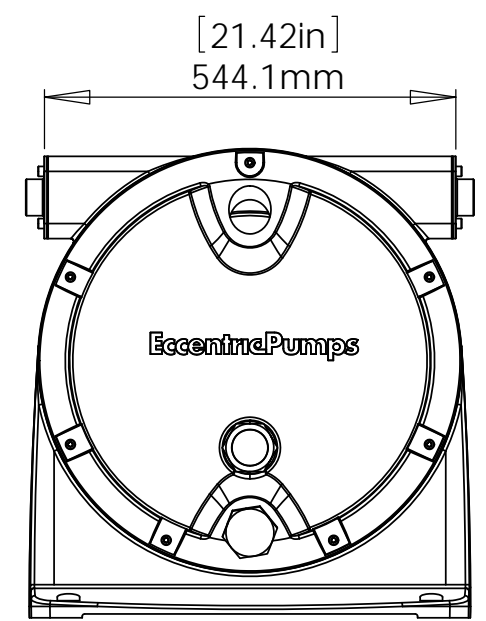
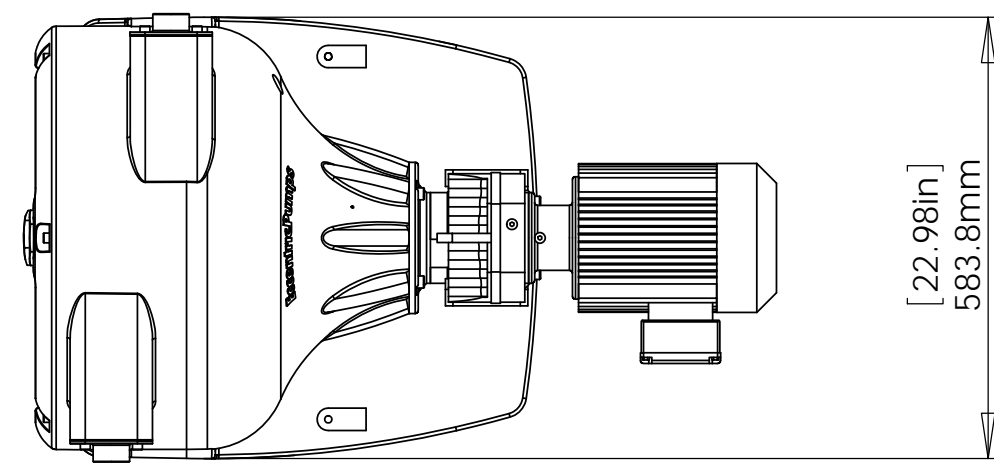
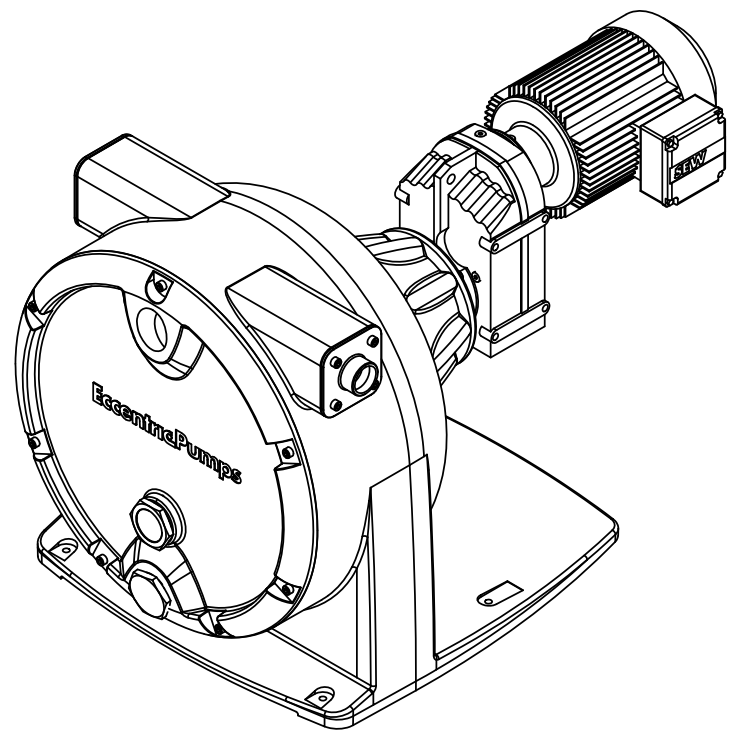
E

D

C

B

A



PROPRIETARY AND CONFIDENTIAL
 INFORMATION DISCLOSED HEREIN IS THE
 PROPERTY OF ECCENTRIC PUMPS. SAID
 INFORMATION IS FURNISHED FOR EVALUATION
 PURPOSES ONLY AND SHALL NOT BE USED OR
 DISCLOSED FOR ANY OTHER PURPOSE EXCEPT
 AS SPECIFIED BY CONTRACT BETWEEN THE
 RECIPIENT AND ECCENTRIC PUMPS.
 DUPLICATION OF ANY PORTION OF THIS DATA
 SHALL INCLUDE THIS LEGEND.

UNLESS OTHERWISE SPECIFIED:		NAME	DATE
DIMENSIONS ARE IN mm		DRAWN	5/10/2010
TOLERANCES:		CHECKED	
ANGULAR: MACH ± 1/2		ENG APPR.	
BEND ± 1/2		MFG APPR.	
NO DECIMAL PLACES ± .50		Q.A.	
ONE PLACE DECIMAL ± .10		COMMENTS:	
TWO PLACE DECIMAL ± .05			
INTERPRET GEOMETRIC TOLERANCING PER: ANSI Y14.5			
MATERIAL			
FINISH			
NEXT ASSY	USED ON		
APPLICATION	DO NOT SCALE DRAWING		

EccentricPumps™
 P.O. Box 190159
 Atlanta, GA 31119

TITLE:

SIZE	DWG. NO.	REV
C	SLP_XL	

SCALE: 1:10 WEIGHT: kg SHEET 1 OF 1