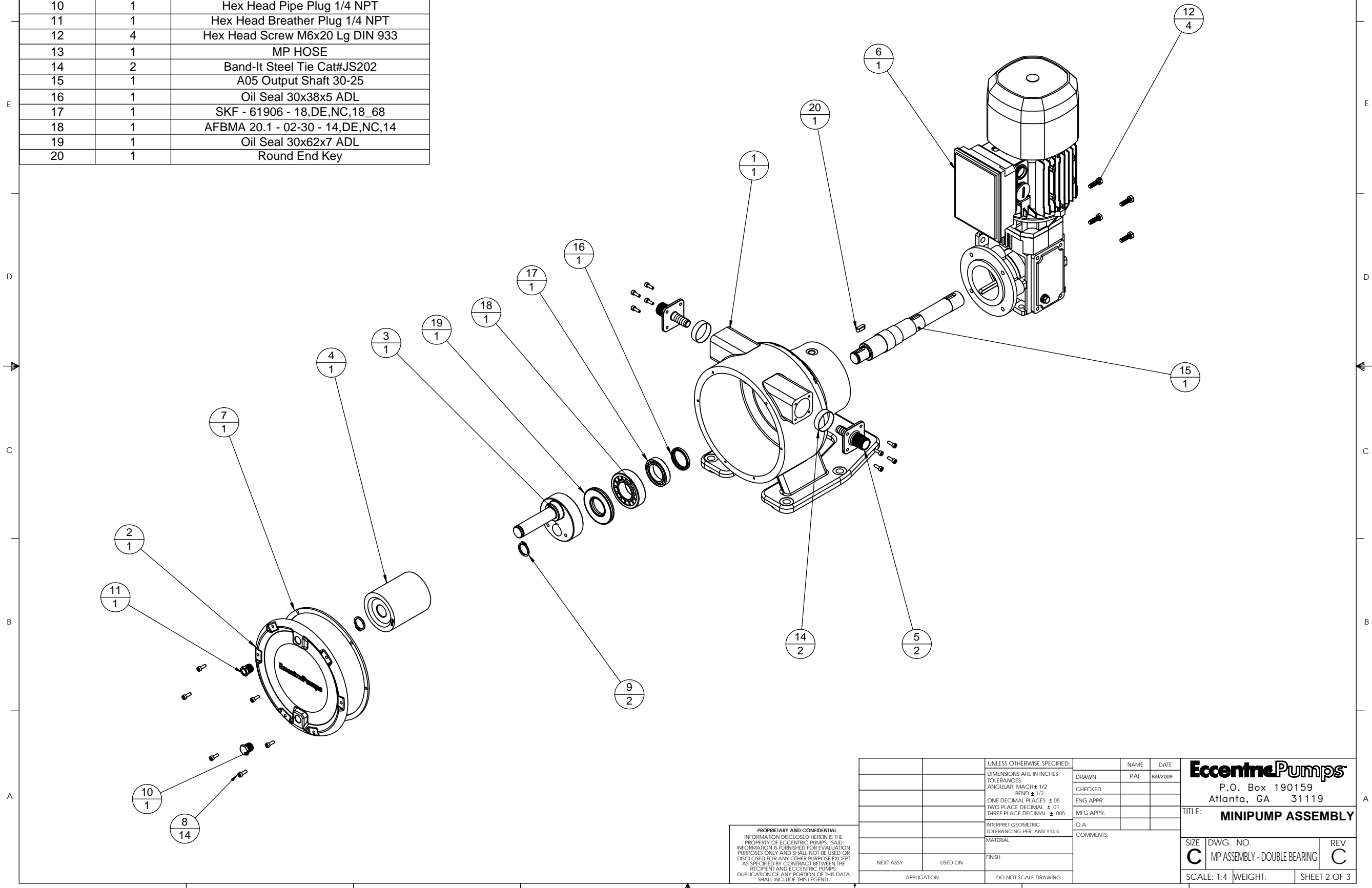


ITEM NO.	QTY.	PART NUMBER
1	1	MP MAIN
2	1	MP FRONT COVER
3	1	MP ECCENTRIC 1P
4	1	MP ROLLER NB
5	2	MP HOSE BARB 500
6	1	A05 NUR F1B 916 S1 M1SD4 VA
7	1	MP GASKET
8	14	Socket Head Cap Screw M4x0,7 x 12mm Lg
9	2	RotorClip Retaining Ring Cat# DSR-20
10	1	Hex Head Pipe Plug 1/4 NPT
11	1	Hex Head Breather Plug 1/4 NPT
12	4	Hex Head Screw M6x20 Lg DIN 933
13	1	MP HOSE
14	2	Band-It Steel Tie Cat#JS202
15	1	A05 Output Shaft 30-25
16	1	Oil Seal 30x38x5 ADL
17	1	SKF - 61906 - 18,DE,NC,18_68
18	1	AFBMA 20.1 - 02-30 - 14,DE,NC,14
19	1	Oil Seal 30x62x7 ADL
20	1	Round End Key

REVISIONS			
REV.	DESCRIPTION	DATE	DRAWN BY
A	MODIFIED MOTOR ORIENTATION	12/15/2010	PAL
B	CHANGED TO DOUBLE BEARING CONFIGURATION	4/25/2010	PAL
C	UPDATE REVISION	8/23/2010	PAL



PROPRIETARY AND CONFIDENTIAL
 INFORMATION DISCLOSED HEREIN IS THE
 PROPERTY OF ECCENTRIC PUMPS. SAID
 INFORMATION IS FURNISHED FOR EVALUATION
 PURPOSES ONLY AND SHALL NOT BE USED OR
 DISCLOSED FOR ANY OTHER PURPOSE EXCEPT
 AS SPECIFIED BY CONTRACT BETWEEN THE
 RECIPIENT AND ECCENTRIC PUMPS.
 DUPLICATION OF ANY PORTION OF THIS DATA
 SHALL INCLUDE THIS LEGEND.

		UNLESS OTHERWISE SPECIFIED:		NAME	DATE
		DIMENSIONS ARE IN INCHES		DRAWN	PAL
		TOLERANCES:		CHECKED	8/9/2009
		ANGULAR: MACH ± 1/2		ENG APPR.	
		BEND ± 1/2		MFG APPR.	
		ONE DECIMAL PLACES ±.05		Q.A.	
		TWO PLACE DECIMAL ±.01		COMMENTS:	
		THREE PLACE DECIMAL ±.005			
		INTERPRET GEOMETRIC TOLERANCING PER: ANSI Y14.5			
		MATERIAL			
NEXT ASSY	USED ON	FINISH			
		DO NOT SCALE DRAWING			

EccentricPumps
 P.O. Box 190159
 Atlanta, GA 31119

TITLE: **MINIPUMP ASSEMBLY**

SIZE	DWG. NO.	REV
C	MP ASSEMBLY - DOUBLE BEARING	C

SCALE: 1:4 WEIGHT: SHEET 2 OF 3