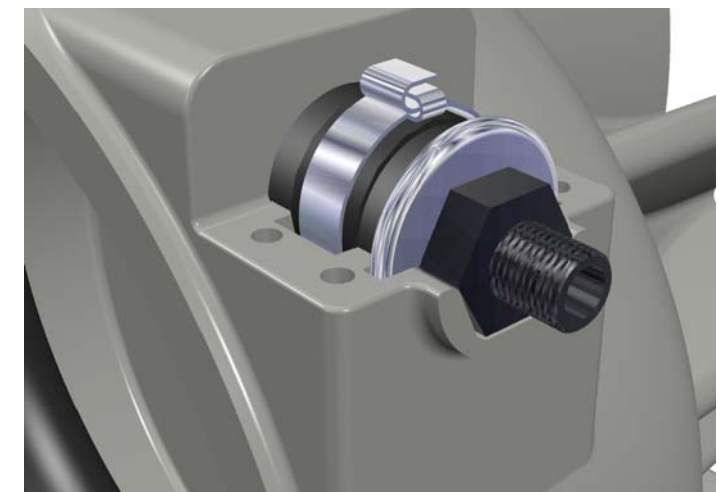
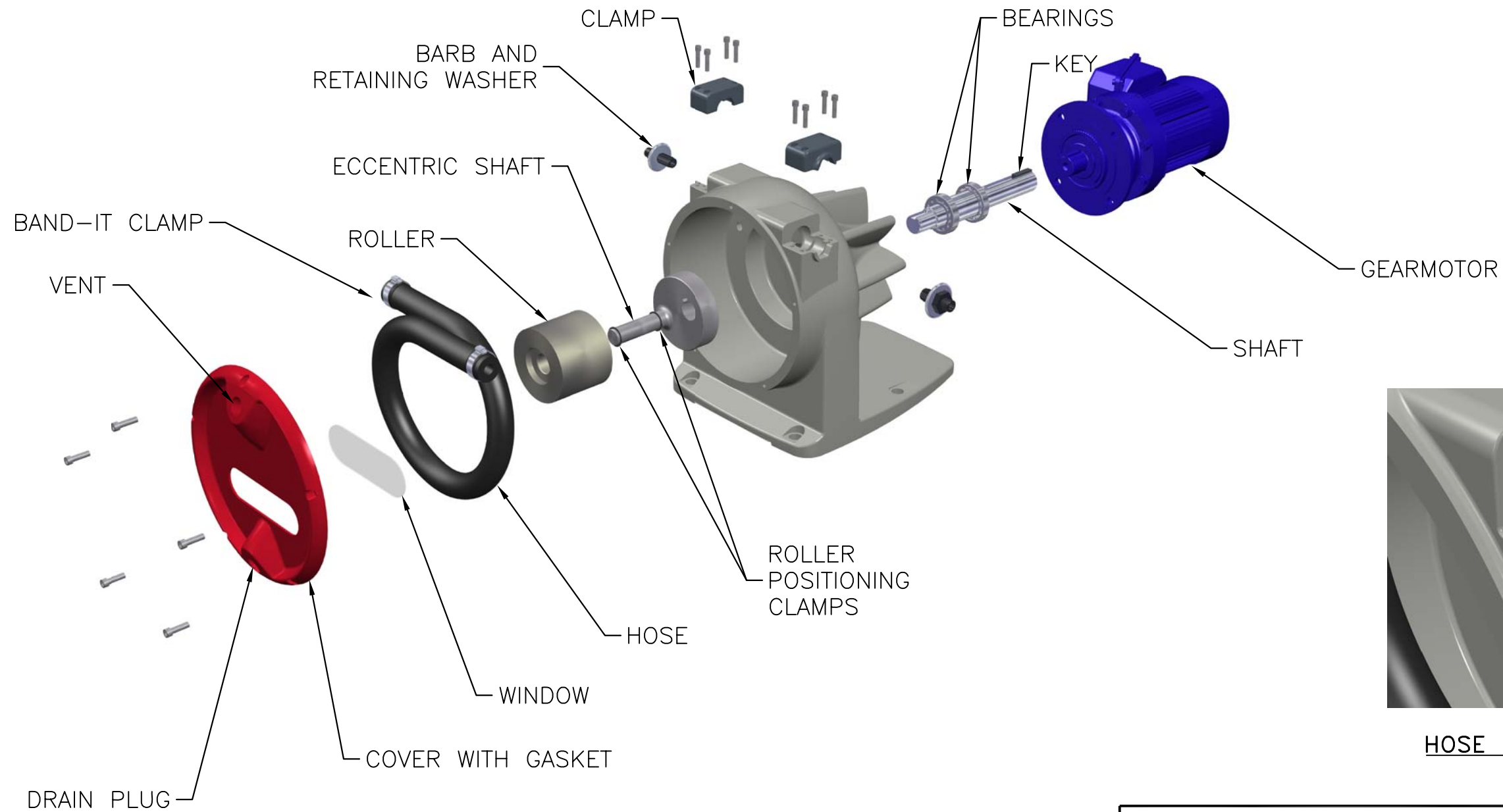


ITEM	QTY	DESCRIPTION
------	-----	-------------



HOSE CLAMP ASSEMBLY DETAIL

4	MODIFIED WASHER AND TITLE BLOCK	PAL	05-18-06
3	ADDED ITEMS AND DETAIL VIEW	PAL	05-14-06
SYM.	REVISION	NAME	DATE

INFORMATION DISCLOSED HEREIN IS THE PROPERTY OF ECCENTRIC PUMPS SAID INFORMATION IS FURNISHED FOR EVALUATION PURPOSES ONLY AND SHALL NOT BE USED OR DISCLOSED FOR ANY OTHER PURPOSE EXCEPT AS SPECIFIED BY CONTRACT BETWEEN THE RECIPIENT AND ECCENTRIC PUMPS. DUPLICATION OF ANY PORTION OF THIS DATA SHALL INCLUDE THIS LEGEND.

FILED AS		DISK	
CUSTOMER #		EccentricPumps™ P.O. Box 190159 Atlanta, GA 31119 www.eccentricpumps.com EXPLODED VIEW ECCENTRIC PUMP	
DIMENSIONS ARE IN MM AND INCLUDE THICKNESS OF PLATING	MAT'L		
REMOVE ALL SHARP CORNERS	FINISH		
TOLERANCES ON FINISHED DIMENSIONS UNLESS OTHERWISE SPECIFIED	DRAWN BY: PAL DATE: 02-20-06 CHECKED BY: _____ DATE: _____ DESIGN APP'D: _____ DATE: _____		
.XXX ±.005 .XX ±.010 FRACTIONAL ±0.1 ANGULAR ±1/2 SURFACE FINISH 125 ✓	SCALE	N.T.S.	SHEET 1 OF 1