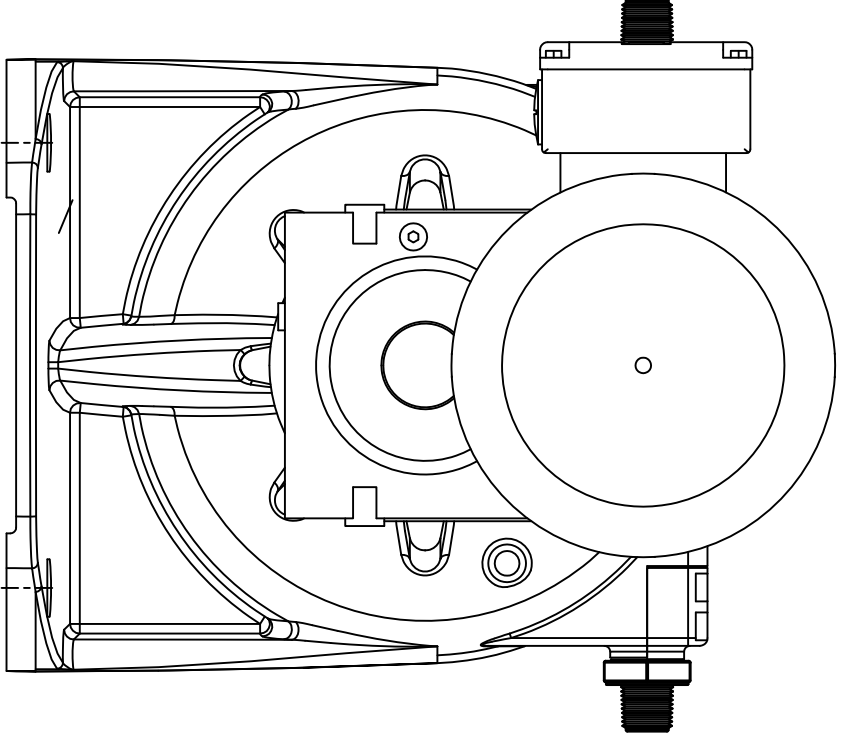
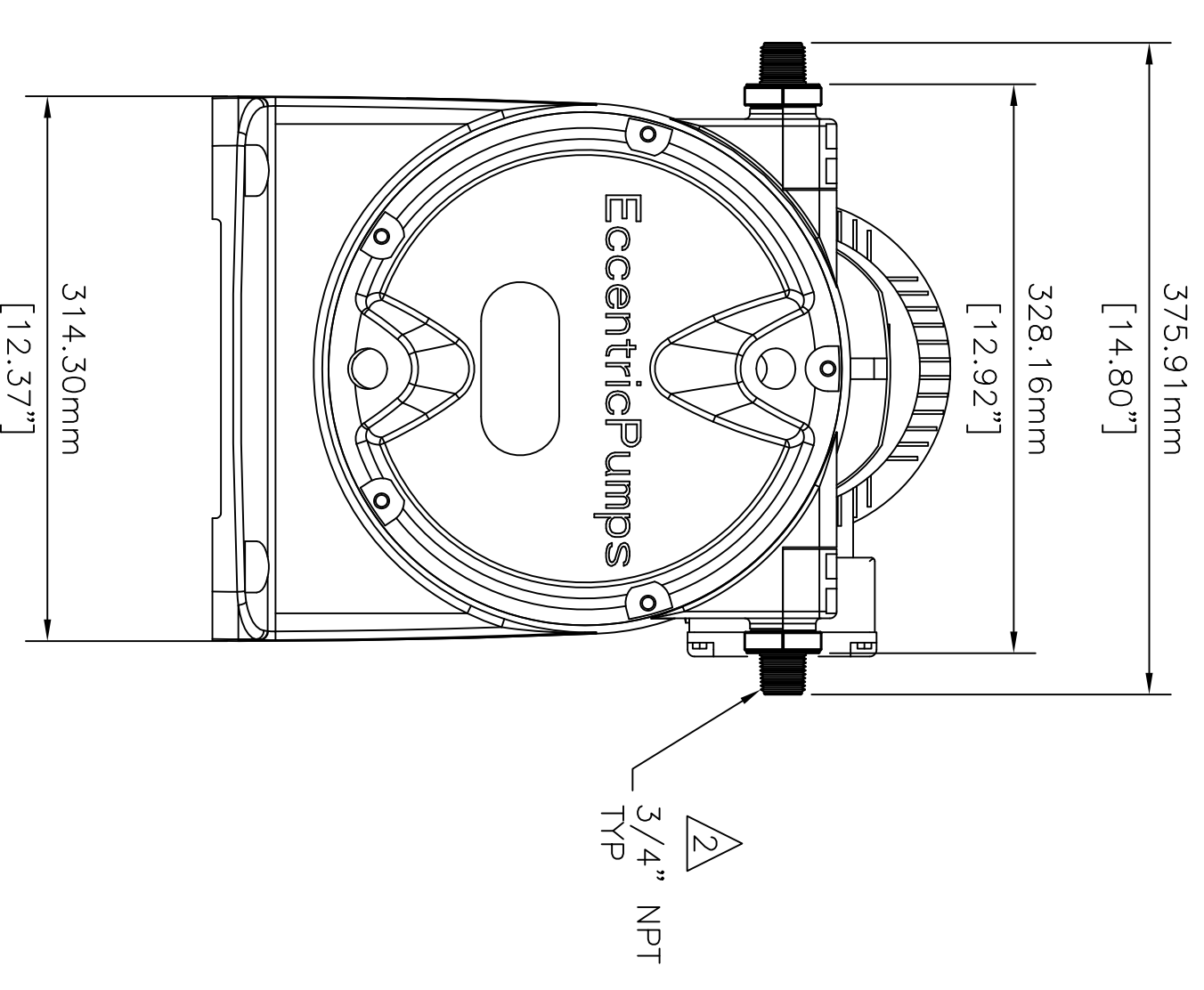
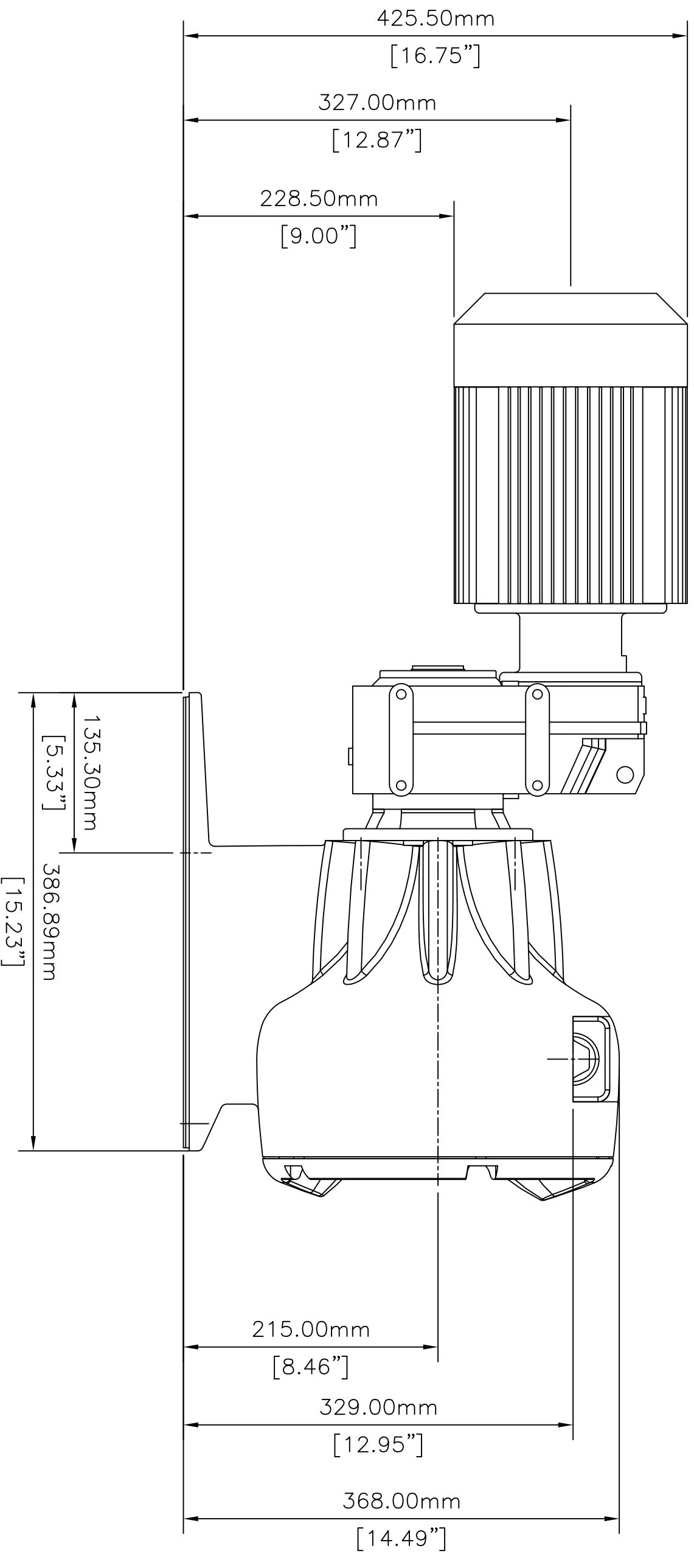
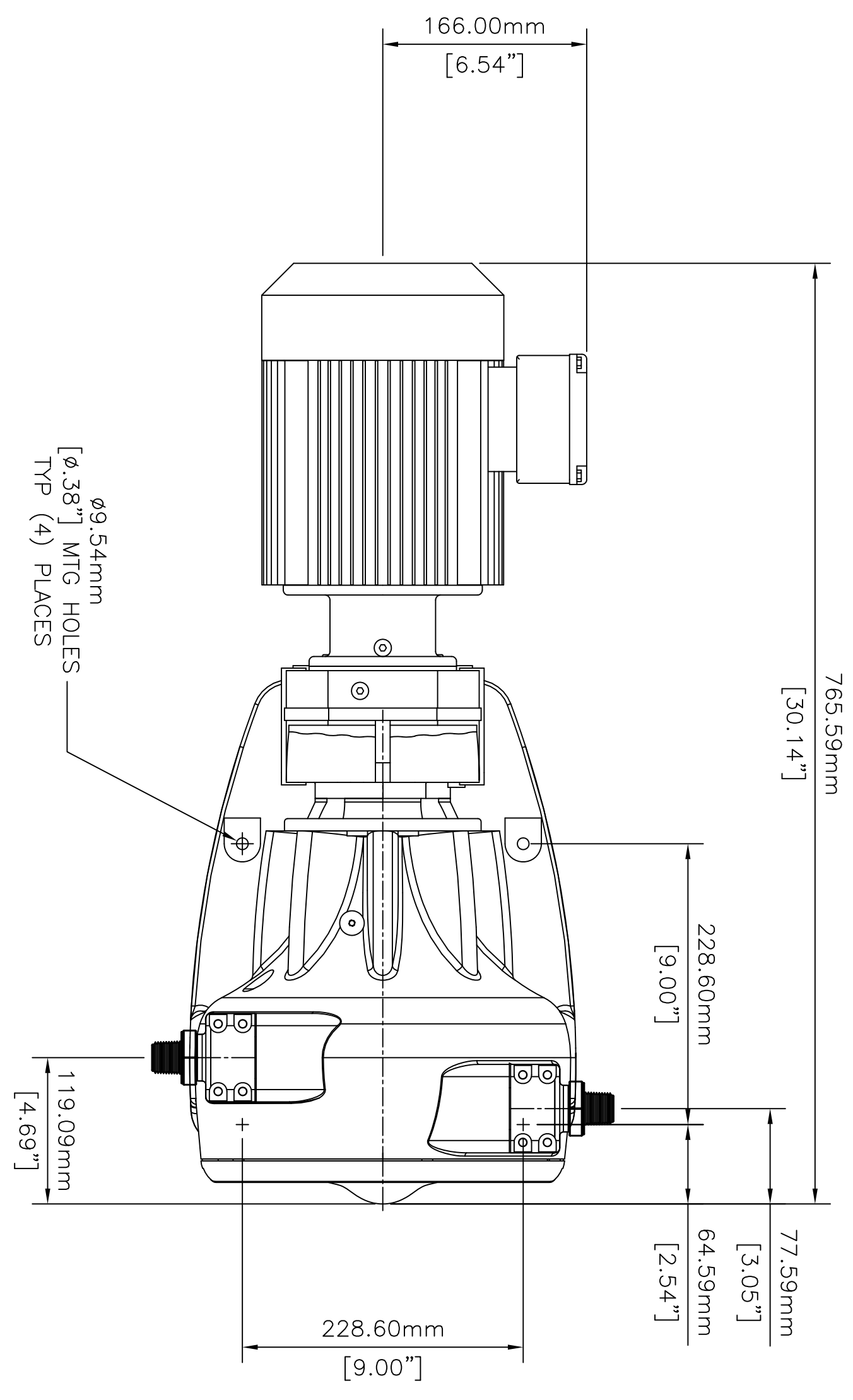


ITEM	QTY	DESCRIPTION
------	-----	-------------



FILED AS		CUSTOMER #		DISK	
DIMENSIONS ARE IN MM (INCHES) AND INCLUDE THICKNESS OF PLATING		MATERIAL ALUMINUM		EccentricPumps P.O. Box 190159 Atlanta, GA 31119	
REMOVE ALL SHARP CORNERS		FINISH POWDER COATING		ASSEMBLY	
TOLERANCES ON FINISHED DIMENSIONS UNLESS OTHERWISE SPECIFIED		DRAWN BY PAL		SLP/058-218 PUMPS	
XXX #4.010 FRACTIONAL # 10.1 ANGULAR # 1/2 SURFACE FINISH 125		CHECKED BY		ASSY001	
DATE 10-05-05		DATE 10-05-05		SCALE 1 : 4	
REVISION		NAME DATE		SHEET 1 OF 1	
1 GENERAL REVISION		10-05-05			
2 3/4 NPT wos 1-1/4"		11-10-07			

INFORMATION DISCLOSED HEREIN IS THE PROPERTY OF ECCENTRIC PUMPS SAID INFORMATION IS FURNISHED FOR EVALUATION PURPOSES ONLY AND SHALL NOT BE USED OR DISCLOSED FOR ANY OTHER PURPOSE WITHOUT THE WRITTEN PERMISSION OF ECCENTRIC PUMPS. ANY REPRODUCTION OR DUPLICATION OF ANY PORTION OF THIS DATA SHALL INCLUDE THIS LEGEND.	
---	--